



SIDE FEED WATER SWIVEL (1-5/8" HEX)

N&N Drilling Supply Mfr. • (800) 334-4927

 Retaining Ring
70-13-116

 Ball Bearing
70-13-111

 "O" Ring
70-13-113

 "O" Ring
70-13-113

 Rod Wiper
70-13-114

1-5/8" Hex Pin

Shaft
AW 70-13-200
AWJ 70-13-201
BW 70-13-202
BWJ 70-13-203
NW 70-13-204
NWJ 70-13-205

Body
70-13-115

Connection
Thread:
1" NPT



 Grease Fitting
12-21-220

 Grease Fitting
12-21-220

 Rod Wiper
70-13-114

 "O" Ring
70-13-113

 "O" Ring
70-13-113

 Ball Bearing
70-13-112

COMPLETE ASSEMBLY

Description	Part#	Weight	
		(Lb)	(Kg)
Side Feed Water Swivel Assembly			
AW	70-13-100	23.5	10.7
AWJ	70-13-101	23.5	10.7
BW	70-13-102	23.5	10.7
BWJ	70-13-103	23.5	10.7
NW	70-13-104	23.5	10.7
NWJ	70-13-105	23.5	10.7

REPAIR KIT

Side Feed	70-13-150	-	-
- Ball Bearing (1)			
- External Retaining Ring (1)			
- "O" Ring (4)			
- Rod Wiper (2)			
- Ball Bearing (1)			



SIDE FEED WATER SWIVEL - H.D. (1-5/8" HEX & 2" HEX)

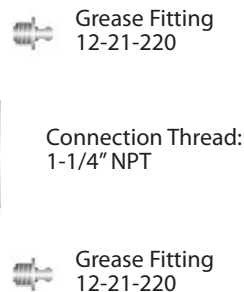
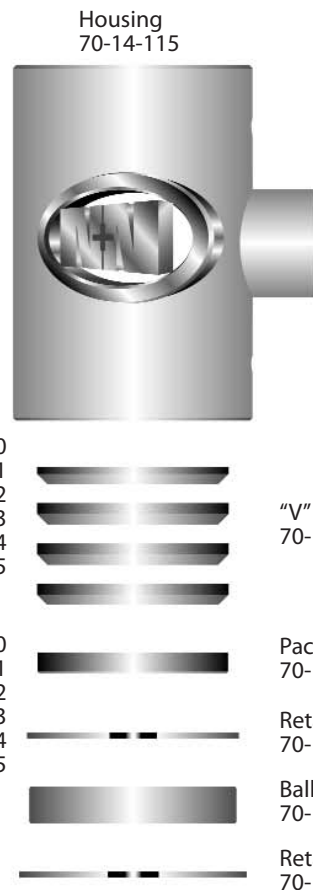
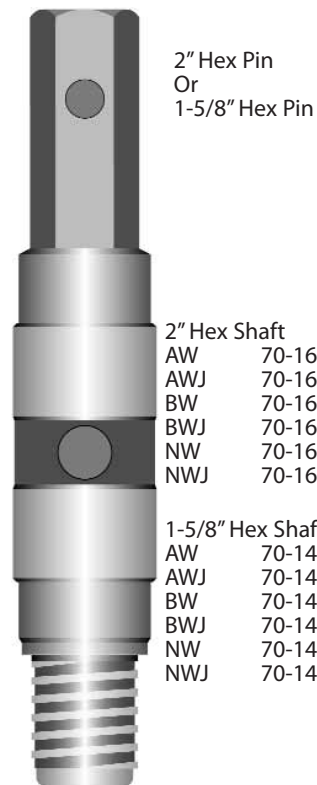
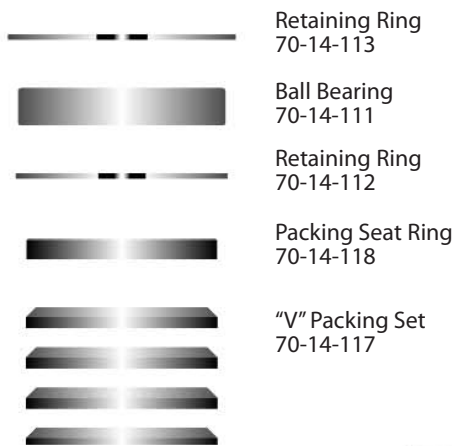
N&N Drilling Supply Mfr. • (800) 334-4927

COMPLETE ASSEMBLY

Description	Part#	Weight	
		(Lb)	(Kg)
Side Feed Water Swivel - H.D. 2" Hex Assembly			
AW	70-16-200	35.0	15.9
AWJ	70-16-201	35.0	15.9
BW	70-16-202	35.0	15.9
BWJ	70-16-203	35.0	15.9
NW	70-16-204	35.0	15.9
NWJ	70-16-205	35.0	15.9
Side Feed Water Swivel - H.D. 1-5/8" Hex Assembly			
AW	70-14-200	35.0	15.9
AWJ	70-14-201	35.0	15.9
BW	70-14-202	35.0	15.9
BWJ	70-14-203	35.0	15.9
NW	70-14-204	35.0	15.9
NWJ	70-14-205	35.0	15.9

REPAIR KIT

Side Feed - H.D.	70-14-250	-	-
- Bearing Retaining Ring (2)			
- Packing Retaining Ring (2)			
- Ball Bearing (2)			
- Packing Set (2)			



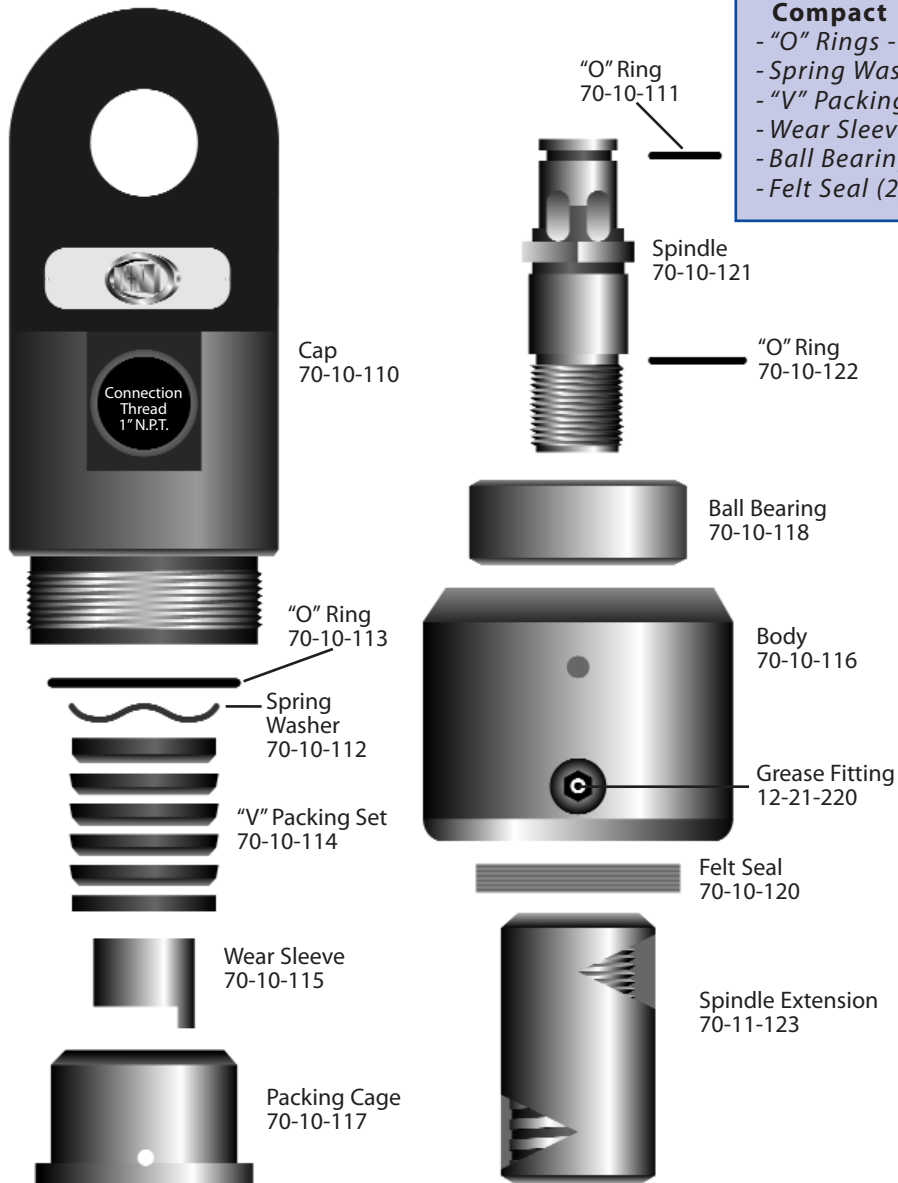


COMPLETE ASSEMBLY

Description	Part#	Weight	
		(Lb)	(Kg)
Compact Water Swivel Assembly			
AW Rod Box	70-10-100	14.5	6.6
<i>Rotating Capacity: 500 Lbs / 227 Kg</i>			
<i>Static Capacity: 5,000 Lbs / 2,270 Kg</i>			

REPAIR KIT

Compact	70-10-150	1.75	0.8
- "O" Rings - 3 sizes (6 of each size)			
- Spring Washer (2)			
- "V" Packing Set (2)			
- Wear Sleeve (2)			
- Ball Bearing (1)			
- Felt Seal (2)			



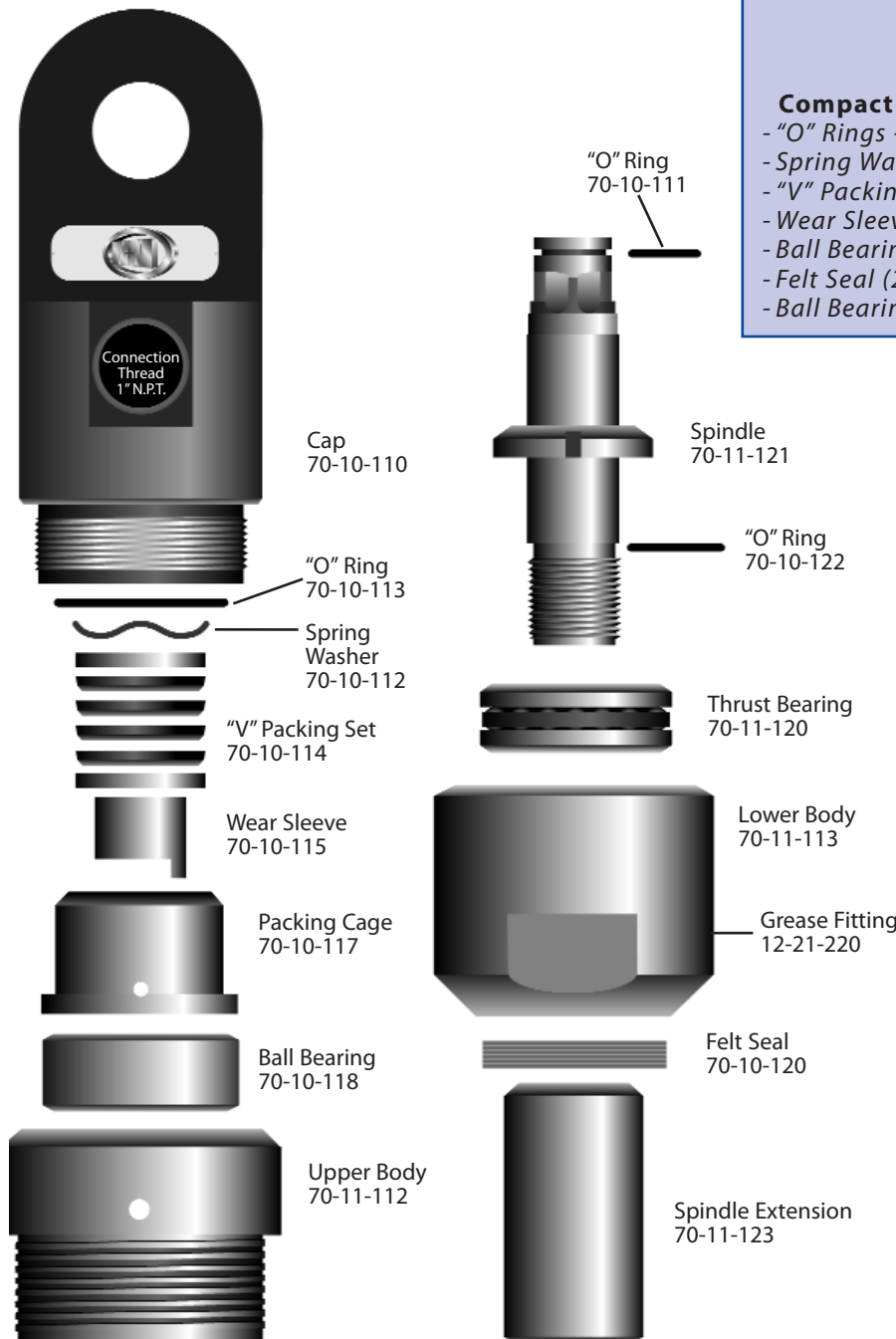


COMPLETE ASSEMBLY

Description	Part#	Weight	
		(Lb)	(Kg)
Compact Plus Water Swivel Assembly			
AW Rod Box	70-11-100	16.7	7.6
<i>Rotating Capacity: 10,000 Lbs / 4,540 Kg</i>			
<i>Static Capacity: 20,000 Lbs / 9,000 Kg</i>			

REPAIR KIT

Compact Plus	70-11-150	-	-
- "O" Rings - 3 sizes (6 of each size)			
- Spring Washer (2)			
- "V" Packing Set (2)			
- Wear Sleeve (2)			
- Ball Bearing (1)			
- Felt Seal (2)			
- Ball Bearing Thrust (1)			



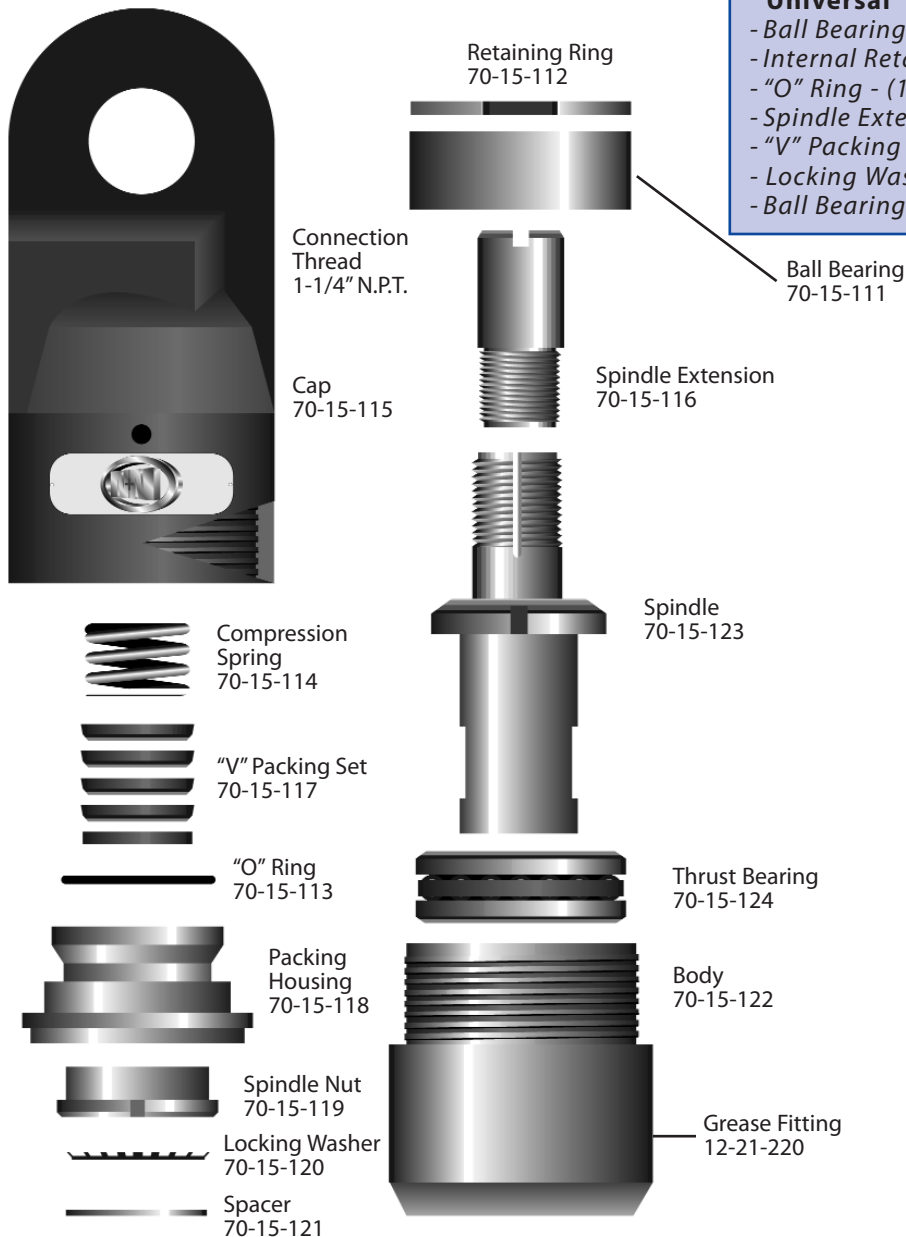


COMPLETE ASSEMBLY

Description	Part#	Weight	
		(Lb)	(Kg)
Water Swivel 25K Assembly			
BW Rod Box	70-15-100	31.5	14.3
<i>Rotating Capacity: 11,000 Lbs / 5,000 Kg</i>			
<i>Static Capacity: 25,000 Lbs / 11,400 Kg</i>			

REPAIR KIT

Universal	70-15-150	-	-
- Ball Bearing (1)			
- Internal Retaining Ring (1)			
- "O" Ring - (1)			
- Spindle Extension (1)			
- "V" Packing Set (1)			
- Locking Washer (1)			
- Ball Bearing Thrust (1)			





COMPLETE ASSEMBLY

Description	Part#	Weight	
		(Lb)	(Kg)
Water Swivel 40K Assembly			
NW Rod Box	70-25-100	36.0	16.4
<i>Rotating Capacity: 30,000 Lbs / 13,620 Kg</i>			
<i>Static Capacity: 40,000 Lbs / 18,160 Kg</i>			

REPAIR KIT

Universal	70-25-150	-	-
- Ball Bearing (1)			
- Internal Retaining Ring (1)			
- "O" Ring - (1)			
- Spindle Extension (1)			
- "V" Packing Set (1)			
- Washer (1)			

