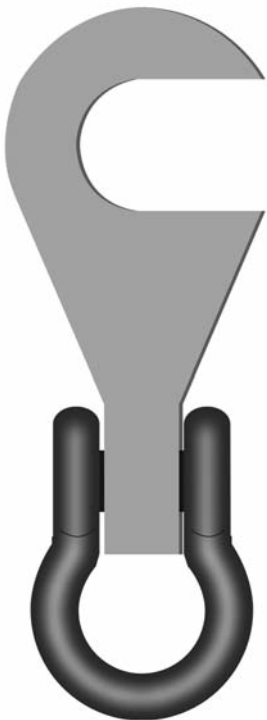


Closed Pull Plate

Description	<u>CLOSED</u>	
	Part#	Weight (Lb)
A	4-2A	9
AW/AWJ	4-2AW	9
BW/BWJ	4-2BW	9
NW/NWJ	4-2NW	14
BWL	4-2BQ	14
NWL	4-2NQ	14
HWL	4-2HQ	14

** Other sizes available upon request.*



Open Pull Plate

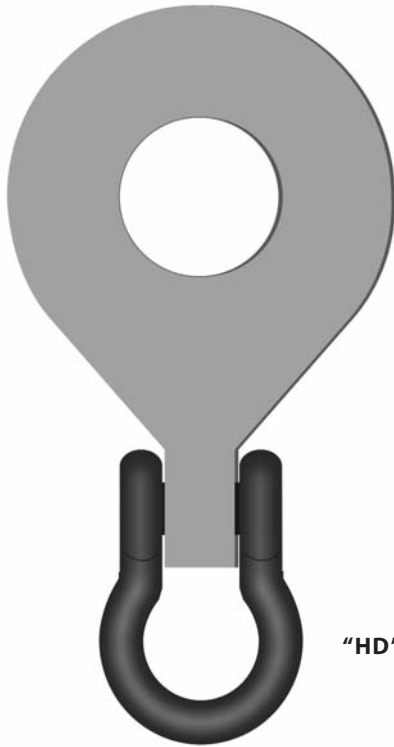
Description	<u>OPEN</u>	
	Part#	Weight (Lb)
A	4-1A	7
AW/AWJ	4-1AW	7
BW/BWJ	4-1BW	10
NW/NWJ	4-1NW	10
BWL	4-1BQ	10
NWL	4-1NQ	10
HWL	4-1HQ	10

** Other sizes available upon request.*



**DRILL ROD
"HD" PULL PLATES**

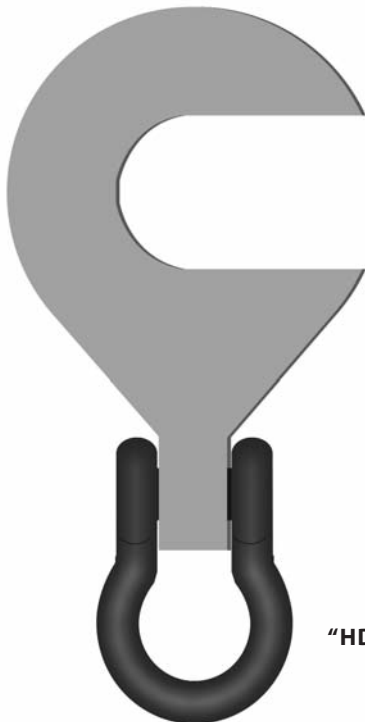
N&N Drilling Supply Mfr. • (800) 334-4927



"HD" Closed Pull Plate

Description	<u>CLOSED</u>	
	Part#	Weight (Lb)
A	4-2AHD	12
AW/AWJ	4-2AWHD	12
BW/BWJ	4-2BWHD	12
NW/NWJ	4-2NWHD	21
BWL	4-2BQHD	21
NWL	4-2NQHD	20
HWL	4-2HQHD	20

** Other sizes available upon request.*



"HD" Open Pull Plate

Description	<u>OPEN</u>	
	Part#	Weight (Lb)
A	4-1AHD	11
AW/AWJ	4-1AWHD	11
BW/BWJ	4-1BWHD	11
NW/NWJ	4-1NWHD	16
BWL	4-1BQHD	16
NWL	4-1NQHD	15
HWL	4-1HQHD	15

** Other sizes available upon request.*



Closed Holding Iron

Description	CLOSED	
	Part#	Weight (Lb)
A	5-2A	8
AW/AWJ	5-2AW	8
BW/BWJ	5-2BW	8
NW/NWJ	5-2NW	14
BWL	5-2BQ	14
NWL	5-2NQ	13
HWL	5-2HQ	13

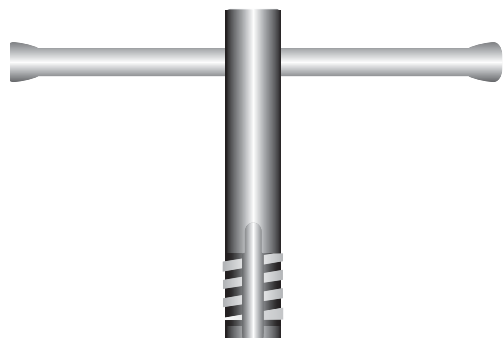
** Other sizes available upon request.*



Open Holding Iron

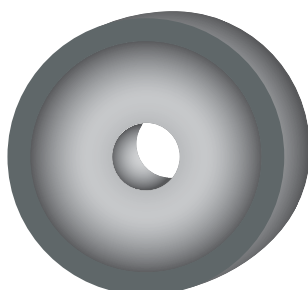
Description	OPEN	
	Part#	Weight (Lb)
A	5-1A	8
AW/AWJ	5-1AW	8
BW/BWJ	5-1BW	8
NW/NWJ	5-1NW	14
BWL	5-1BQ	14
NWL	5-1NQ	13
HWL	5-1HQ	13

** Other sizes available upon request.*



Clean Out Tap

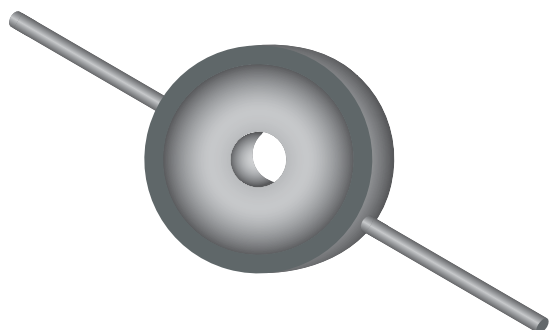
<u>CLEAN OUT TAP</u>		
Description	Part#	Weight (Lb)
A	70-COT-A	2
AW	70-COT-AW	2
BW	70-COT-BW	3
N-3	70-COT-N3	4
N-4	70-COT-N4	4
NW	70-COT-NW	5



Rod Wiper

<u>ROD WIPER</u>		
Description	Part#	Weight (Lb)
A	71-RW-A	6
AW/AWJ	71-RW-AW	6
BW/BWJ	71-RW-BW	6
N-3/N-4	71-RW-N	6
NW/NWJ	71-RW-NW	6

** Other sizes available.*



Rod Wiper w/ Handle

<u>ROD WIPER W/ HANDLE</u>		
Description	Part#	Weight (Lb)
A	71-RWH-A	8
AW/AWJ	71-RWH-AW	8
BW/BWJ	71-RWH-BW	8
N-3/N-4	71-RWH-N	8
NW/NWJ	71-RWH-NW	8

** Other sizes available.*